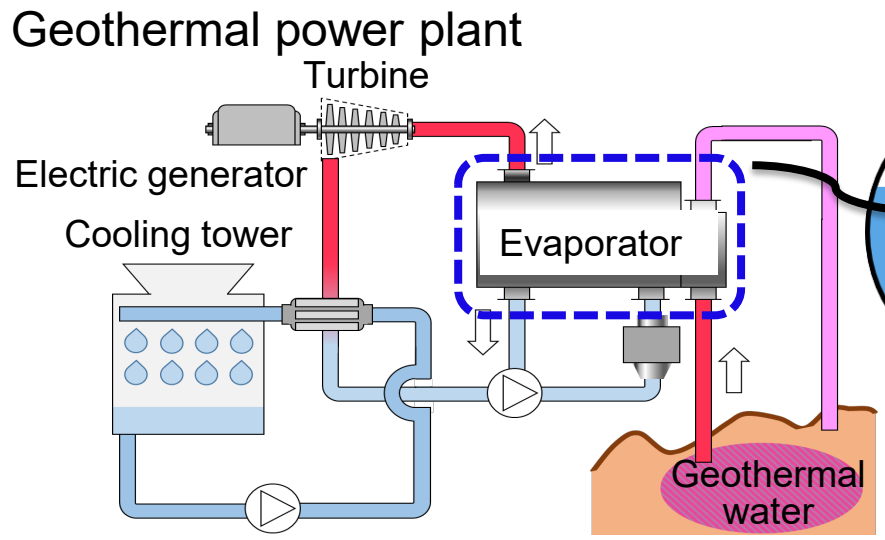


Binary cycle for geothermal utilization and waste heat recovery



Improvement of the heat exchanger

Power generation efficiency
Deduction of size & cost

Targets:

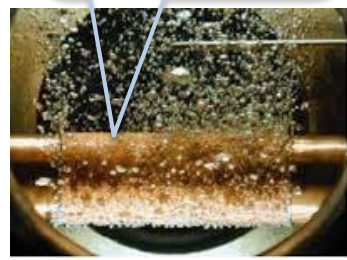
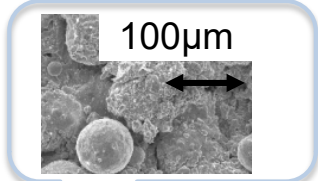
- Boiling heat transfer enhancement
- Thermo-fluid dynamics

Interaction between the heat transfer and two-phase flow dynamics

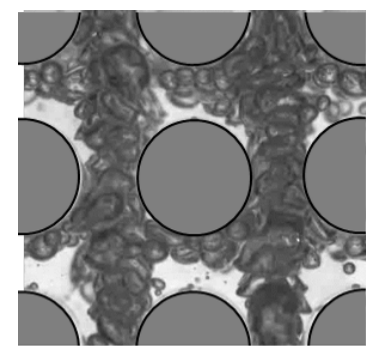
Decrease in wall superheat for the onset of nucleate boiling



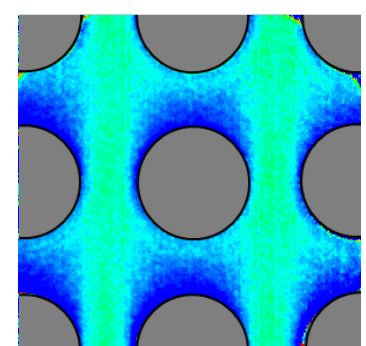
Smooth surface



Thermal Spray Coating



Flow visualization (High-speed camera)



Void fraction distribution (X-ray radiography)